

METEOROLOGY

HUMIDITY AND TEMPERATURE MEASUREMENT



rotronic
LEADING IN HUMIDITY MEASUREMENT



LEADING IN HUMIDITY MEASUREMENT: ROTRONIC

ROTRONIC has manufactured humidity-measurement devices since 1967. In order to be able to offer our customers, in the various applications, the maximum precision and flexibility at competitive prices, we have steadily furthered the continuous development of our measuring devices.

All products are developed and manufactured at our headquarters in Switzerland (under ISO 9001:2000). As a company with an accredited SCS calibration laboratory (SCS 065) and a competent service division, we are able to repair and calibrate your probes even after many years of use. In addition, we have access to a worldwide network of subsidiaries and distributors – including specialists who have been trained in the sales and servicing of ROTRONIC products.

A team of six engineers is in charge of developing the electronics. Six other specialists take care of sensor production. Approximately 30 others then assemble the components for the best products which then guarantee you best measurement results for many years to come. There is also the service division and the calibration lab, where probes are calibrated, adjusted and certified. If an issue should indeed occur, the devices are then repaired/replaced within the shortest possible time.

With years of experience, we also offer OEM products. For many customers, this is an affordable way to access precise and specified products without having to develop them themselves. Contact us, we'll help you find just what you need.

Guaranteed Services

- 2-year warranty
- With ± 0.6 %rh as the highest level of precision
- Quality control according to ISO 9001 – inc. Quality adjustment certificate
- Validated Windows software
- All products conform to technical regulations
- More than 40 years of experience in humidity measurement
- Eco-conscious and free-of-charge disposal



METEOROLOGY

INTRODUCTION

In meteorology, the precision of measured parameters is especially important for weather forecasting and decision-making. ROTRONIC humidity probes have an excellent reputation – even in the most demanding of environments, where high humidity levels and low temperatures dominate – when it comes to providing precise results. Our current product line offers a high performance level and a broad range of applications – at a price level compatible to all applications.

Even the best probes measure inaccurately if the surrounding conditions are not compatible. There is no point using a high precision probe if the measured parameters are inaccurate due to the use of improper weather protection shields. Without proper weather protection shields, the temperature is not correctly measured – and the same then applies to the relative humidity, since this factor is dependent on the temperature. Poorly ventilated weather protection shields can promote the growth of a biofilm above the probes – which, when occurs, leads to yet another inaccurate reading.

Therefore, in applications which require a high level of accuracy, ventilated protection shields are used. High accuracy measurements are even more important when energy optimisation is concerned. In other words: the more accurate the measurement, the smaller the regular bandwidth and the greater the energy savings.

ROTRONIC's ventilated weather and radiation protection shields – in combination with the meteorology probes – generate the best measurement results. At a significantly lower price level, practically the same values indicated by the dew-point mirror are attained (as gathered by various national meteorology organisations).

The weather protection shields were developed in close co-operation with Meteo Schweiz, and are utilised world-wide. The tests clearly indicated the unmatched accuracy displayed by the combination of ROTRONIC probes and the ventilated weather protection!

Applications

Snow guns, agricultural meteorology, high-Alpine meteorology, building management systems and weather stations.



MeteoSchweiz

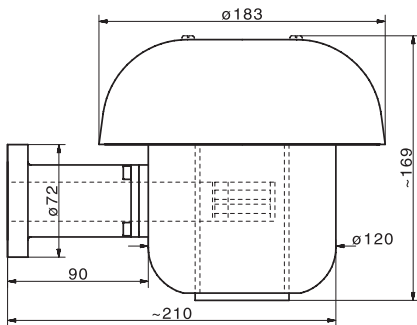
ACTIVELY VENTILATED SHIELDS

Applications

Snow guns, weather stations, agricultural meteorology, building (facilities) management systems.

Highlights

- Simple-to-install protective shield with integrated fan
- Special white coating minimises solar heating (RAL 9010)
- Easy probe mounting
- 12 VDC or 24 VDC supply for fan
- Compatible with various probe types

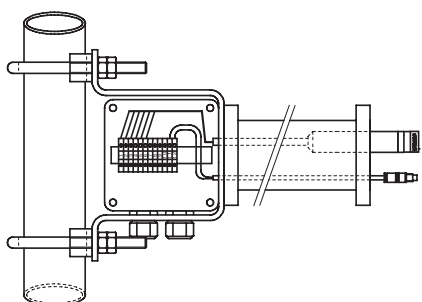


Order no.	RS12T	RS24T
Range of application	-30...60 °C	
Material	Aluminium, POM, RAL 9010	
Supply	12 VDC, approx. 2 W	24 VDC
Fan	Papst ventilator IP54	
Aspiration rate	3.5 m/s / 900 l/min	
Longevity	at 40 °C ~70,000 h, at 70 °C ~35,000 h	

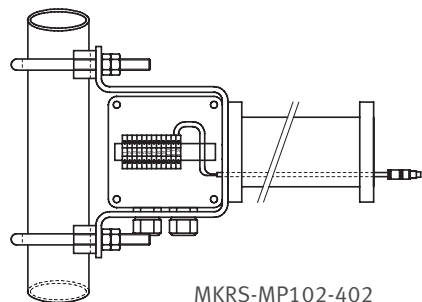
Assembly sets for RS weather-protection shields

Order no.	To be used with	Probe connector	Connection: clamp box
MKRS-HC2	HygroClip2 (HC2-S3)	E2	Clamps / 2 cable screw connections
MKRS-MP102-402	MP102H / MP402H	N/A	Clamps / 2 cable screw connections

Mounting connections



MKRS-HC2



MKRS-MP102-402

WEATHER AND RADIATION PROTECTION WITH NATURAL VENTILATION

Naturally ventilated protective shields are used where the demands for precision are not quite so high.

Applications

Snow guns, weather stations, building (facilities) management systems.

Highlights

- Simple-to-install protective screen
- Lamellar system for natural ventilation
- Easy probe mounting
- Compatible with various probe types
- Installation material included
- For mast diameter in the 25 to 50mm range
- Protection against wind speeds up to 68 km/h and horizontal precipitation

Order no.	AC1002-AC1012	AC1003-AC1012
Lamellar	10	14
Assembly	Assembly bracket and screws	
Protection	Probe protection pipe	
Use	with probes from the MP100A series	with probes from the MP400A, MP102H, MP402H series

Order no.	AC1015	AC1004
Type	Protection and assembly pipe HC2-S3	Weather and radiation protection
Lamellar		9
Assembly		Assembly bracket and screws
Use	along with AC1002-AC1012 / AC1003-AC1012	with HC2-S3 and connector cable



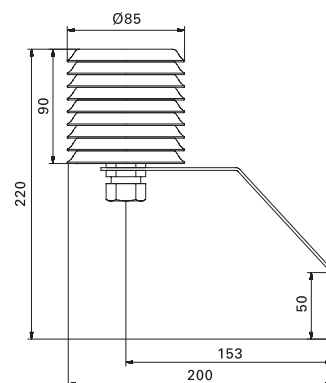
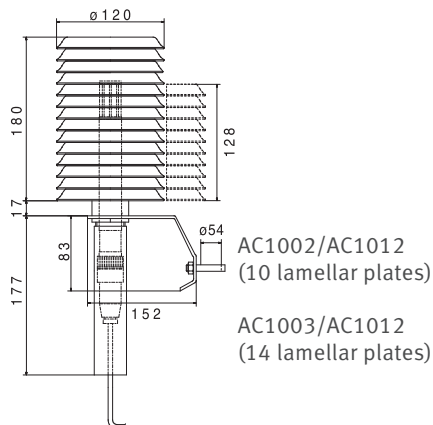
AC1002
AC1012



AC1004



AC1015



HYGROMET METEOROLOGY PROBE

MP102H /402H for replaceable probes* HC2-S3



The meteorology probes in the MP102H and MP402H series place themselves in another league by their high measurement accuracy. They convert the signal transmitted by the HygroClip HC2-S3 probes to a linear voltage or current signal for analogue transmission. An RS485 interface is likewise available on request.

All the benefits provided by the new Airchip3000 Technology, which offers the highest-possible level of precision, are now available to you.

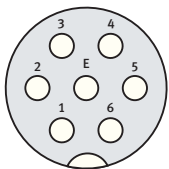
Applications

Snow guns, weather stations, building (facilities) management systems.

Highlights

- Application range (temperature): -40...85 °C
- Current or voltage output signal
- Optional: directly connected Pt100 probe
- UART & service interface to PCB

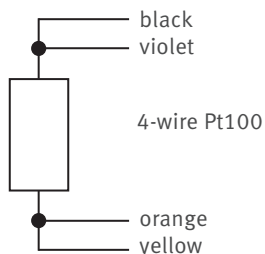
Tuchel 7-pin connector plug



Pin configuration / strand colours

Term	Colour	Pin
+VDC	green	1
Mass	grey	2
Humidity	white	3
Temperature	brown	4
RS485 +	red	5
RS485 -	blue	6
Protection		E

Separate Pt100 (for both types):



Order no.			
MP102H-			Meteorology Measurement Converter with voltage output
MP402H-			Meteorology Measurement Converter with current output
	0		Without additional Pt100
	3		Separate Pt100 1/3 Class B, passive, 4-wire
	5		A separate Pt100 1/5 Class B, passive, 4-wire
	A		separate Pt100 1/10 Class B, passive, 4-wire
Output signals MP102H			
	1		0...1 V = 0...100 %rh / -0.4...0.6 V = -40...60 °C
	2		0...1 V = 0...100 %rh / -30...70 °C
	3		0...1 V = 0...100 %rh / -40...60 °C
Output signals MP402H			
	4		0...20 mA = 0...100 %rh / 0...100 °C
	5		0...20 mA = 0...100 %rh / -40...60 °C
	6		0...20 mA = 0...100 %rh / -30...70 °C
	7		4...20 mA = 0...100 %rh / 0...100 °C
	8		4...20 mA = 0...100 %rh / -40...60 °C
	9		4...20 mA = 0...100 %rh / -30...70 °C
(03-99)		03	PUR connector cable (3 m standard, max. 99 m)
		T7	7-pin Tuchel connector plug (not for passive 4-wire Pt100)
		00	Open-ended

*Order HygroClip probe HC2-S3 separately
(Meteo probe with direct dew-point output on request)

HYGROCLIP HC2-S3 (AIRCHIP 3000)

Applications

Meteorology stations, building automation, agricultural meteorology.

Use

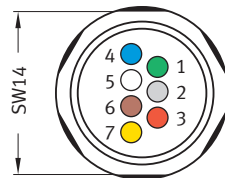
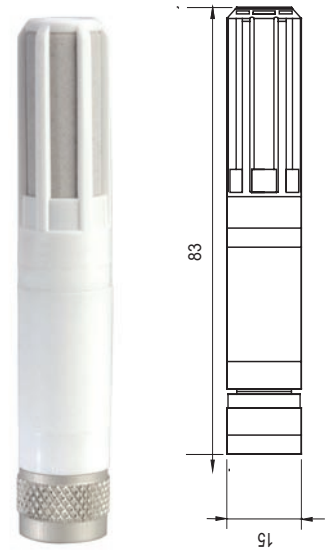
Meteorology probe MP102H & MP402H Series, OEM Applications.

Highlights

- Measures humidity, temperature and dew point
- Fast Hygromer® V1 probe
- Saves up to 2,000 readings
- Range of application: 0...100 %rh / -50...100 °C
- UART interface and freely scalable analogue signals 0...1 V
- Standard scaling 0...1 V = 0...100 %rh / -40...60 °C
- Probes with adjustment profile «Standard», Factory certificate

Order no.	HC2-S3	HC2-S3H
Adjusted	at 23 °C and 10, 35, 80 %rh	
Precision	±0.8 %rh / ±0.1 K	±0.5%rh / ±0.1 K
Probes	Ø15 x 85 mm	
Colour	white	
Housing	Polycarbonate	
Filter	Polyethylene, white ~ 40 µm pore size	

Order no.	HC2-R3
Probe	Revised probe with new humidity sensor



Electrical connectors:
(all HygroClip2 probes with connector plug)

- 1 ● V+ (3.2 VDC up to max. 5 VDC, ±0%; recommended: 3.3 VDC)
- 2 ● GND (mass, digital and power)
- 3 ● RXD (UART)
- 4 ● TXD (UART)
- 5 ● Analogue signal rH (0...100 %rh = 0...1 V)
- 6 ● Analogue signal °C (-40...60 °C = 0...1 V)
- 7 ● AGND (analogue ground, mass)

ANALOGUE METEOROLOGY PROBE

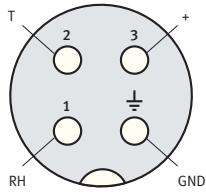
Standard Meteorology Probes with fixed sensors; analogue technology
Fast Hygromer® V1 Sensor.

Order no.:	MP100A-xx	MP400A-xx
Output	Linear voltage output	Linear current output
Precision	Long-term stability <1 %rh / year	
Resistant	condensation, thawing and dust particles	
Range of application	-40...60 °C	
Measurement	of temperature with Pt100 – direct, or linear output signal	
Cable length	Cable-length compensation – no measurement deviations at a distance of up to 100 m	
Filter	Wire filter ~ 20 µm pore size	

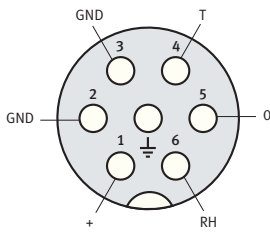


METEOROLOGY

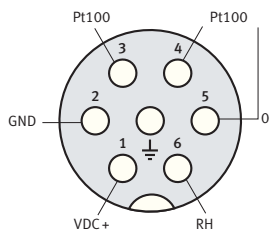
Pin configuration of the Tüchel connector plug for MP100 & MP400 Series



Tüchel T4



Tüchel T7 MP100



Tüchel T7 with separate Pt100

Order no.			
MP100A-		Output signals: voltage	
MP101A-		0...1 VDC = 0...100 %rh	-0.4...0.6 V = -40...60 °C
MP102A-		0...1 VDC = 0...100 %rh	0...1 V = -30...70 °C
MP103A-		0...1 VDC = 0...100 %rh	0...1 V = -40...60 °C
MP106A-		0...1 VDC = 0...100 %rh	Separate Pt100 in 4-wire circuit
MP400A-		Output signals: current	
MP400A-		0...20 mA = 0...100 %rh	Pt100, 4-wire passive
MP401A-		4...20 mA = 0...100 %rh	Pt100, 4-wire passive
MP402A-		4...20 mA = 0...100 %rh	2-wire, only %rh
MP403A-		4...20 mA = 0...100 %rh	2-wire / Pt100 4-wire passive
MP404A-		0...20 mA = 0...100 %rh	0...20 mA = 0...100 °C
MP405A-		0...20 mA = 0...100 %rh	0...20 mA = -40...60 °C
MP406A-		0...20 mA = 0...100 %rh	0...20 mA = -30...70 °C
MP407A-		4...20 mA = 0...100 %rh	4...20 mA = 0...100 °C
MP408A-		4...20 mA = 0...100 %rh	4...20 mA = -40...60 °C
MP409A-		4...20 mA = 0...100 %rh	4...20 mA = -30...70 °C
Common Parameters			
	T4	Signals & supply to Tüchel 4-pin connector plug on the probe	
	T7	Signals & supply to Tüchel 7-pin connector plug on the probe	
	CG	PUR cable, grey	
	02	Cable length (02 -99) in m	
	C4	Cannon 4-pin connector plug at the end of the cable	
	00	Open ends, tin-plated	
	-W4W	Sensor protection: wire filter	

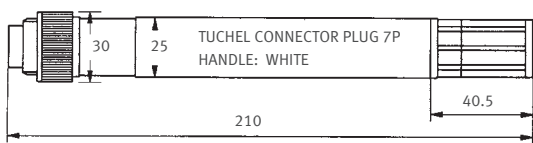
Order numbers, standard probes:

Humidity range: 0...100 %rh = 0...1 V (MP100A) or 4...20 mA (MP400A)

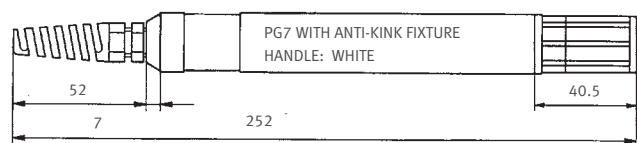
Order no.	Range (°C)	Connector	Cable compensation
MP101A-T4-W4W	-0.4...0.6 V = -40...60 °C	Tüchel 4-pin connector plug	Yes
MP101A-T7-W4W	-0.4...0.6 V = -40...60 °C	Tüchel 7-pin connector plug	Yes
MP408A-T4-W4W	4...20 mA = -40...60 °C	Tüchel 4-pin connector plug	No
MP408A-CGXX-W4W	4...20 mA = -40...60 °C	Open-ended	No

XX = length in m

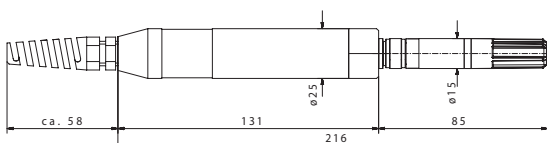
Dimension drawings



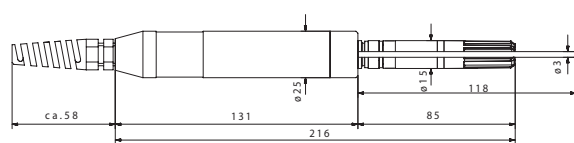
MP100A-T7



MP100A-CG



MP102H / MP402H /-0



MP102H / MP402H /-3/-5/-A

HYGROCLIP PROBES for agricultural and outside applications

The new cable probes for agricultural and outside applications are equipped with a faster sensor and also with a new filter technology which offers significantly better protection against the growth of a biofilm.

Typical applications: weather stations and data-recording systems.

Applications

Agriculture, OEM and meteorology applications.

Use

Handheld devices, data loggers, transmitters, OEM products.

Highlights

- Measures humidity, temperature and dew point
- Fast Hygromer® V1 Sensor
- Saves up to 2000 readings
- Range of application: 0...100 %rh / -50...100 °C
- UART interface and freely scalable analogue signals 0...1 V
- Standard scaling 0...1 V = 0...100 %rh / -40...60 °C
- Probe with adjustment profile «Standard», Factory certificate

Order no.	HC2-S3C03	HC2-S3C03-PT15
Adjusted	at 23 °C and 10, 35, 80 %rh	
Precision	±1 %rh / ±0.2 K	±1 %rh / ±0.1 K (passive Pt100)
Filter	Polypropylene, white ~ 40 µm pore size	
Colour	white	
Probe	3 m TPU open-ended cable probe	PT100 1/5 Class B
Voltage	5...24 VDC / 5...16 VAC	
Dimensions	Ø15 x 140 mm	on request



METEOROLOGY

Adapter with voltage regulator for meteorology applications (permissible voltages: 5...24 VDC / 5...16 VAC)

Order no.	Adapters
E3-01XX-ACT	Adapter with voltage regulator for HC2-S3 probe, 1 m cable, open-ended
E3-02XX-ACT	Adapter with voltage regulator for HC2-S3 probe, 2 m cable, open-ended
E3-05XX-ACT	Adapter with voltage regulator for HC2-S3 probe, 5 m cable, open-ended

Specifications for MP-100/400 Series

Series	MP102H	MP402H	MP100A (analogue)	MP400A (analogue)
Output signal Type	Voltage	Current	Voltage	Current
Supply voltage	5...24 VDC	15...24 VDC, V min = 10 V + (0.02 x burden*)	4.8...30 VDC	MP402/403: 8 V+ (0.02* burden) Others: 5 V+ (0.02* burden) max. 26 VDC
Current consumption	< 6mA	<50 mA	6 mA	20 mA / 2x20 mA
* Burden (in Ω)	>1k Ω	<500 Ω	>1k Ω	<500 Ω
Cable-length compensation	Yes		Up to 99 m	N/A
Area of application: electronics	-40...85 °C	-40...85 °C	-40...60 °C	-40...60 °C
Humidity measurement range	0...100 %rh	0...100 %rh	0...100 %rh	0...100 %rh
Temperature measurement range	Freely scalable	Freely scalable	According to order number	According to order number
Humidity sensor	N/A, HC2-S3 probe	N/A, HC2-S3 probe	Hygromer® V1	Hygromer® V1
Temperature sensor	N/A, HC2-S3 probe	N/A, HC2-S3 probe	Pt100 1/3 Class B	Pt100 1/3 Class B
Separate Pt100 DIN (optional)	According to order code	According to order code	N/A	N/A
Precision (humidity)	Same as HC2-S3 probe	Same as HC2-S3 probe	10...95 %rh: ±1.5 %rh, <10, >95 %rh: ±2.5 %rh	
Precision (temperature)	Same as HC2-S3 probe	Same as HC2-S3 probe	±0.3 K	±0.3 K
Reproducibility	Same as HC2-S3 probe	Same as HC2-S3 probe	<0.5 %rh/ ±0,1 K	<0.5 %rh/ ±0,1 K
Long-term stability (humidity sensor)	<±1 %rh / Year	<±1 %rh /Year	<±1 %rh / Year	<±1 %rh / Year
Response time	<12s	<12s	<12s	<12s
Adjustment points				
Humidity (analogue)	N/A	N/A	35, 80, H (min.)	35, 80, H (min.)
Temperature (analogue)	N/A	N/A	Tmin, Tmax	Tmin, Tmax
Humidity & Temperature (digital)	Adjustment of the probe	Adjustment of the probe	N/A	N/A
Housing material	POM	POM	POM	POM
Protection	IP65	IP65	IP65	IP65
Weight	approx. 200 g	approx. 200 g	approx. 200 g	approx. 200 g

GENERAL CONDITIONS OF SALE AND SUPPLY

1. General Information

- 1.1 A contract is considered to be concluded with a written quotation, order confirmation or when the goods are despatched and invoiced by ROTRONIC. By accepting the delivery, the customer agrees to the conditions of ROTRONIC. Divergent conditions have to be stipulated in writing.
- 1.2 Orders shall only become binding upon ROTRONIC after it has issued a written confirmation of order.
- 1.3 ROTRONIC - reserve the right to amend typing errors/mistakes to price lists and technical data at any time.

2. Prices

Prices shall be deemed net including V.A.T. and Advanced Recycling Fee (ARF) SWICO (in Switzerland only) for Computer Products, excluding VAT for all other products, excl. transportation and packaging charges for all products, provided that alternative conditions have not already been agreed. ROTRONIC AG however hereby reserves the right to make price adjustments to cover definite increases in costs, e.g. goods and material.

3. Delivery Period

Within Switzerland Computer Products are normally delivered on a next working day. For unavailable articles, an order confirmation with the prospective delivery date, also for part deliveries, is sent to the customer. For all other products, the delivery period shall be the date in the order acknowledgement and as such will be extended should difficulties arise that may have been caused by an act of God such as war, epidemics and among other things storm and tempest.

4. Dispatch

All deliveries shall be effected for the account and the risk of the customer. ROTRONIC AG reserve the right to supply against prepayment or cash on delivery. Any complaints concerning damage, loss or delay are to be reported to ROTRONIC AG within 8 days of the receipt of the consignment. But complaints concerning any faulty packaging shall be rendered on the same day as the receipt of the consignment (Refusal of acceptance with "Die Post" or the forwarding agent).

5. Works Deliveries

Should the consignment and invoicing be directly affected by the suppliers of ROTRONIC AG, the conditions of sale and supply of that particular supplier shall be valid for customers in respect of that particular contract. In such cases, these present conditions of sale and supply shall have no validity and damage indemnity claims or claims of any other nature cannot be made enforceable against ROTRONIC AG hereunder.

6. Return of Goods and Materials

Computer Products

Computer Products, Electronic Packaging, Electronics and UPS Systems out of the current ROTRONIC product range can be returned within 8 days after delivery. The goods must be in their original packaging, complete, undamaged and fully functional. On a copy of the invoice or the dispatch advice, the reason for returning the products has to be stated. Should such document/statement be missing, an administration fee of CHF 30.—will be charged. Incomplete, damaged packages are not accepted. Full costs for bringing the products into a re-sellable condition plus a handling charge (cumulative) will be deducted from the credit note, configured products such as modems, routers, firewalls, switches, etc. can only be returned in the manufacturers' original configuration. Should ROTRONIC have to reset such products, a charge of CHF 180/working hour will be due. Returns later than 8 days after delivery can only be accepted back after prior consultation of ROTRONIC AG. Delayed returns are charged additionally with a handling fee of CHF 30.—.

Obsolete products, i.e. products not being in the regular online-/catalogue-assortment, software, data carriers, also products made to specification and all products which are not held on stock normally cannot be returned.

Printer, Fax, PCs CPUs, Scanner, hard-disks, notebooks, consumables, PDAs, mobile phones, LCD-displays, overhead-projectors, digital cameras, power supply units, measuring equipment, etc. have to be returned in their sealed original packing. Should the above regulations not be fulfilled, ROTRONIC has the right to deduct the credit note or refuse to take the product(s) back or to make out a debit note. After return of the product(s), a credit note will be processed and then sent to the customer.

Humidity- and Temperature-Measuring Equipment

The return of goods and materials shall require the written permission of ROTRONIC AG and may only be effected if the goods and materials are in re-sellable condition and still in their original packaging, and only then if such are usually maintained in stock by ROTRONIC AG. A copy of the delivery note or the invoice must be enclosed. Returns without either a copy of the delivery note or the invoice will not be accepted. An appropriate surcharge will be levied by ROTRONIC AG on the purchaser to defray the cost of any inconvenience caused.

7. Settlement

Invoices are to be settled net within 30 days without any deductions. Purchasers will be charged the usual bank overdraft rate of interest in respect of overdue payments. Other payment modes can be agreed upon.

8. Retention of Ownership Rights

All goods and materials supplied shall remain the property of ROTRONIC AG until full payment of the debited invoice amount has been received.

9. Warranty

ROTRONIC AG will grant a warranty for plant and equipment for a period of 24 months for humidity- and temperature measuring equipment and 12 months for all other equipment from the date of delivery in respect of any evidenced faulty workmanship and materials. Should a delivered consignment prove to be contrary to contract upon inspection, the customer shall grant ROTRONIC AG the opportunity hereunder of removing the fault, or else the customer may demand replacement. Should the supply or delivery of any improvement or replacement not prove possible, the customer may choose between having the purchase price reduced or in demanding the contract of sale to be rescinded (conversion). Damage resulting from natural wear and tear, an act of God or non compliance with the operating instructions shall be excluded from the warranty as well as mechanical interference by the customer or by third parties with plant and equipment of ROTRONIC AG without its written permission. No liability will be accepted for defects, damage or injury caused due to installation not carried out in accordance with the manufacturer's installation instructions.

5-year functioning warranty for roline Computer accessories. For all roline computer accessories sold after 2001, ROTRONIC AG grants a functioning guarantee of 5 years. It is a pure functioning warranty on the features from date of purchase. Roline phone accessories, consumables, power supply units, wear parts, ventilators and other mechanically movable parts, natural wear and tear are exempt from this guarantee. All exemptions specified in the general 12 months warranty for ROTRONIC computer products are applicable. To claim warranty, the rejected product has to be sent to ROTRONIC AG together with the original invoice, any exchange before the product has been returned to ROTRONIC AG is not possible. ROTRONIC AG reserve the right to repair, exchange or supply an equivalent substitute. Warranty on the purchase price is limited, all liability for consequential damages or changes in technology is expelled.

10. Cancellation

Cancellation of orders shall only be possible hereunder with the written approval of ROTRONIC AG. Any costs which have already been incurred or price increases as a result of reduction in amounts ordered shall be for the account of the purchaser. Partial supplies of an order contracted upon call shall be claimed within the agreed supply and delivery periods; otherwise ROTRONIC AG may cause the relative consignment and invoice billing therefore to be made.

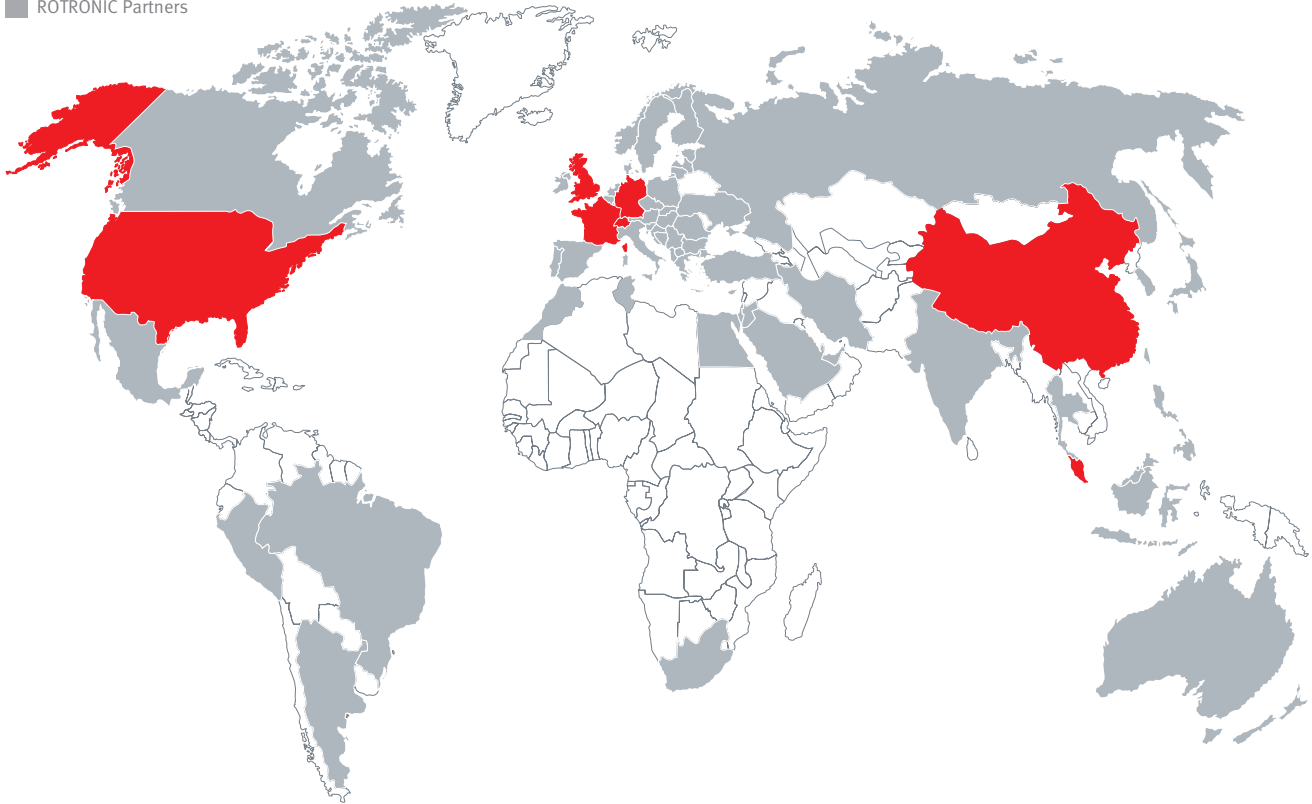
11. Place of Jurisdiction

The place of jurisdiction shall be either ROTRONIC AG's or the customer's Swiss domicile. Legal relationship hereunder shall be subject to Swiss Law.

ROTRONIC is represented in more than 40 countries around the world. An up-to-date list of all our partners is available at www.rotronic-humidity.com/international

■ ROTRONIC International

■ ROTRONIC Partners



SWITZERLAND

ROTRONIC AG

Grindelstrasse 6, CH-8303 Bassersdorf
Phone +41 44 838 11 44
Fax +41 44 837 00 73
www.rotronic-humidity.com

FRANCE

ROTRONIC Sarl

56, Bld. de Courcerin,
F-77183 Croissy-Beaubourg
Phone +33 1 60 95 07 10
Fax +33 1 60 17 12 56
www.rotronic.fr

SINGAPORE

ROTRONIC South East Asia Pte Ltd

16 Kallang Place #07-04
Singapore 339156
Phone +65 6294 6065
Fax +65 6294 6096
www.rotronic.com.sg

GERMANY

ROTRONIC Messgeräte GmbH

Einsteinstrasse 17 – 23, D-76275 Ettlingen
Phone +49 7243 383 250
Fax +49 7243 383 260
www.rotronic.de

CHINA

ROTRONIC Shanghai Rep. Office

2B, Zao Fong Universe Building, No. 1800 Zhong
Shan West Road, Shanghai 200233, China
Phone +86 21 644 03 55
Fax +86 21 644 03 77
www.rotronic.cn

USA

ROTRONIC Instrument Corp.

160, East Main Street, Huntington N.Y. 11743
Phone +1 631 427 38 98
Fax +1 631 427 39 02
www.rotronic-usa.com

UK

ROTRONIC Instruments UK Ltd.

Crompton Fields, Crompton Way
Crawley, West Sussex RH10 9EE
Phone +44 1293 57 10 00
Fax +44 1293 57 10 08
www.rotronic.co.uk

rotronic

LEADING IN HUMIDITY MEASUREMENT